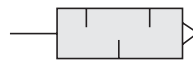




Features

1. Easy installation. With different adapter, silencer screw directly connects to the exhaust port.
2. The silencer is a porous polyethylene body moulded to a polyethylene (PE) adapter.
3. With double layer design, significant noise reduction and high air flow can be achieved at the same time.
4. Chemical resistance. Maintenance free.

Symbol



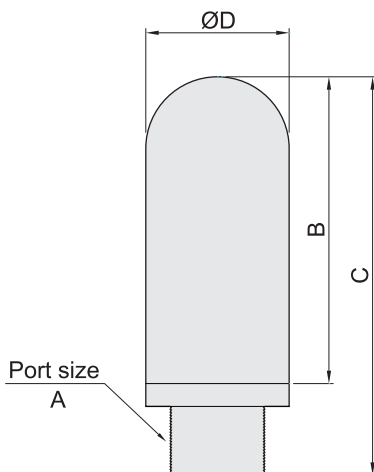
How to order

SVT	—	03	2
Series		Port size	Pore size
		01 PT1/8"	2 20μ
		02 PT1/4"	7 70μ
		03 PT3/8"	
		04 PT1/2"	
		06 PT3/4"	
		08 PT1"	

Specifications

Series	SVT012	SVT022	SVT032	SVT042	SVT062	SVT082
	SVT017	SVT027	SVT037	SVT047	SVT067	SVT087
Operating fluid	Compressed air					
Port size	PT1/8"	PT1/4"	PT3/8"	PT1/2"	PT3/4"	PT1"
Operating pressure	0~0.9MPa(0~9kgf/cm ²)					
Temperature range	0°C~60°C					
Material	Body	Polyethylene				
	Filter	Polyethylene				

※ Silencer color: 20μ is blue, 70μ is black.



External dimensions

Series	A Port size	B	C	D	Series	A Port size	B	C	D
SVT012	PT1/8"	27.3	37.3	15.6	SVT042	PT1/2"	62.5	78.7	25
SVT017					SVT047				
SVT022	PT1/4"	30.5	43.9	19	SVT062	PT3/4"	108.4	132.8	37.8
SVT027					SVT067				
SVT032	PT3/8"	53	69	25	SVT082	PT1"	107	139	50
SVT037					SVT087				